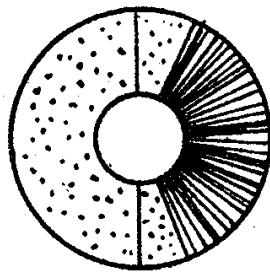
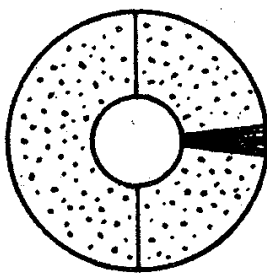


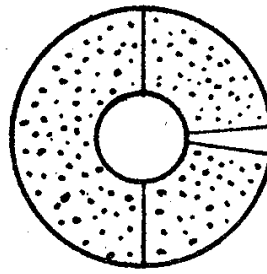
TYPES Y61 and Y63



(a) Zero Grid Bias.

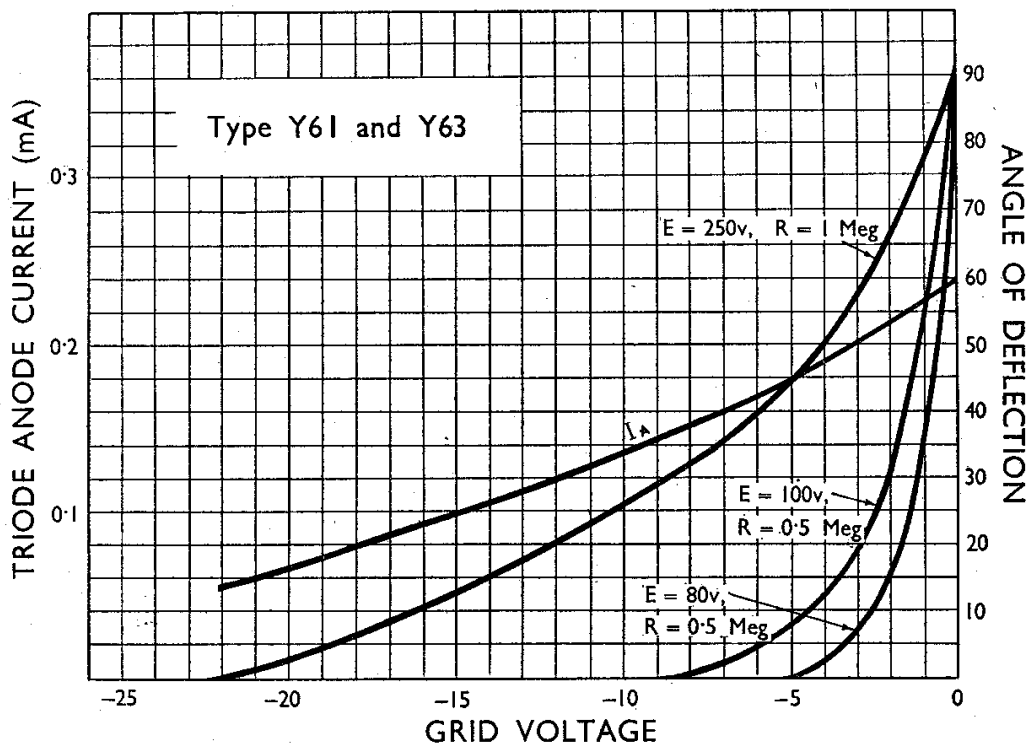
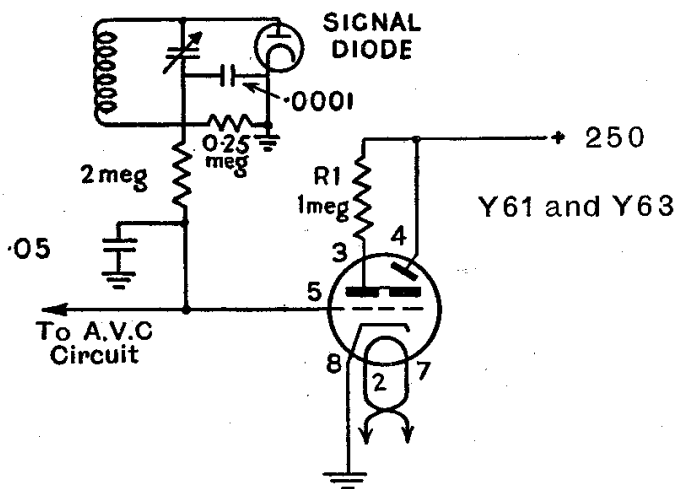


(b) Negative Grid Bias.
(Signal in tune)



(c) Valve Overloaded.

Patch of extreme brightness.



CHARACTERISTIC CURVES OF AVERAGE INDICATOR.